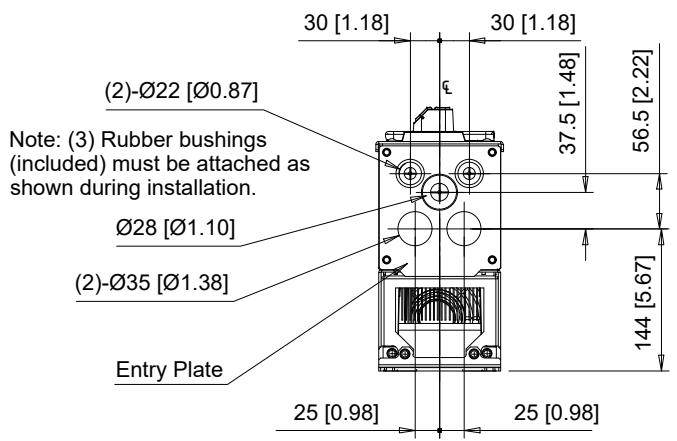


**Detail A**  
Top mounting hole dimensions  
Scale 1:1



C/C: FP65□	INPUT VOLTAGE 3-PHASE (VAC)	WEIGHT Kg (lb)		COOLING FANS
		STANDARD	WITH EMC FILTER	
2024□□□	200 TO 240	11.0 (24.3)	12.0 (26.5)	1
2031□□□		12.0 (26.5)	13.0 (28.7)	1
4021□□□		12.0 (26.5)	13.0 (28.7)	1
4027□□□	380 TO 480	13.0 (28.7)	14.0 (30.9)	1
4034□□□		14.0 (30.9)	14.5 (32.0)	1

□ denotes A-Z



DRWN.	J. MATTAS	3-28-22
CHKD.	J. PIOTROWSKI	3-30-22
TECH.	L. UDDIN	4-4-22
APRV.	J. CAIRO	4-21-22

TITLE  
FP605 DIMENSION DRAWING  
FRAME SIZE 2  
IP55/UL TYPE 12 ENCLOSURE  
WITH MAIN SWITCH

SIZE A PAGE 1 OF 3  
DWG.NO. DD.FP605.FR2.T12.SW

REV 0

Base Point of Control Board

Refer to DD.FP605.CONTROLBOARD drawing for control board details

Note: The - and +1 terminals are not used

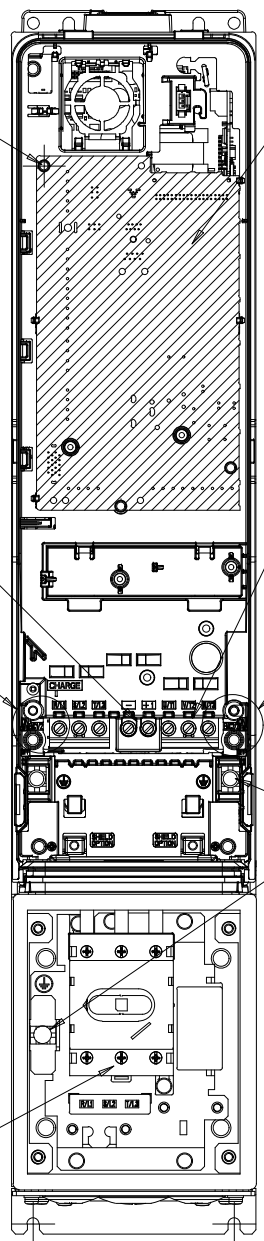
Main Terminals with M4 Screws; Slotted (-)

EMC Filter Switch 1  
See Detail A

EMC Filter Switch 2  
See Detail B

Grounding Terminals with M5 Screws

Main Terminals with M5 Screws; Pozidriv #2

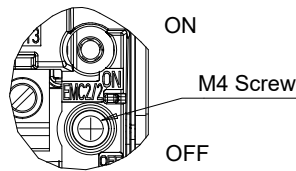
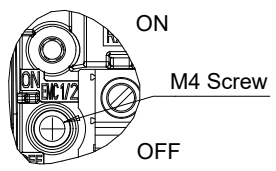


**EMC FILTER SWITCHES**

Note: EMC filter switches enabled only on models with built-in EMC filter

**EMC SW1**

**EMC SW2**



Detail A  
Scale 1:2

Detail B  
Scale 1:2

C/C: FP65□	TERMINAL SYMBOL	WIRE RANGE AWG (mm <sup>2</sup> )	TERMINAL SCREW	CLAMPING TORQUE N.m. (lb.in.)
2024□□□	R/L1, S/L2, T/L3	14 - 4 (2.5 - 25)	M5	2.0 (18)
2031□□□	U/T1, V/T2, W/T3	14 - 8 (2.5 - 10)	M4	1.5 - 1.7 (13.5 - 15)
4021□□□	Ⓢ	14 - 8 (2.5 - 10)	M5	2.0 - 2.5 (17.7 - 22.1)
4027□□□				
4034□□□				

□ Denotes A-Z

Note: Refer to applicable codes and standards for proper wire type and size.

**YASKAWA**

UNITS MM [IN]  
SCALE 1:4

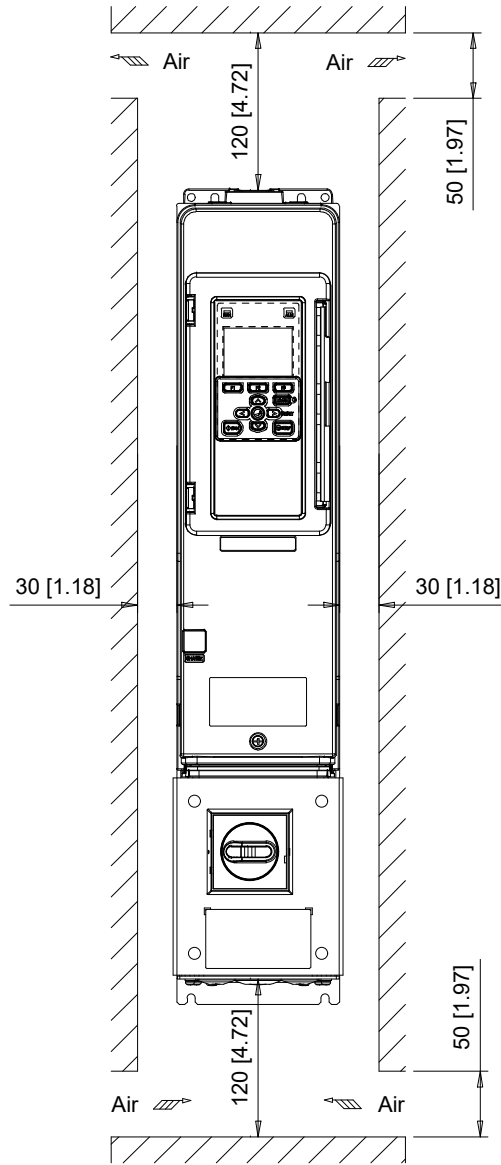
DRWN. J. MATTAS 3-28-22  
CHKD. J. PIOTROWSKI 3-30-22  
TECH. L. UDDIN 4-4-22  
APRV. J. CAIRO 4-21-22

TITLE  
FP605 DIMENSION DRAWING  
FRAME SIZE 2  
IP55/UL TYPE 12 ENCLOSURE  
WITH MAIN SWITCH

SIZE A PAGE 2 OF 3  
DWG.NO. DD.FP605.FR2.T12.SW

REV 0

Minimum Installation Clearances



**YASKAWA**

UNITS MM [IN]  
SCALE 1:6

DRWN. J. MATTAS 3-28-22  
CHKD. J. PIOTROWSKI 3-30-22  
TECH. L. UDDIN 4-4-22  
APRV. J. CAIRO 4-21-22

TITLE  
FP605 DIMENSION DRAWING  
FRAME SIZE 2  
IP55/UL TYPE 12 ENCLOSURE  
WITH MAIN SWITCH

SIZE A PAGE 3 OF 3  
DWG.NO. DD.FP605.FR2.T12.SW

REV 0